

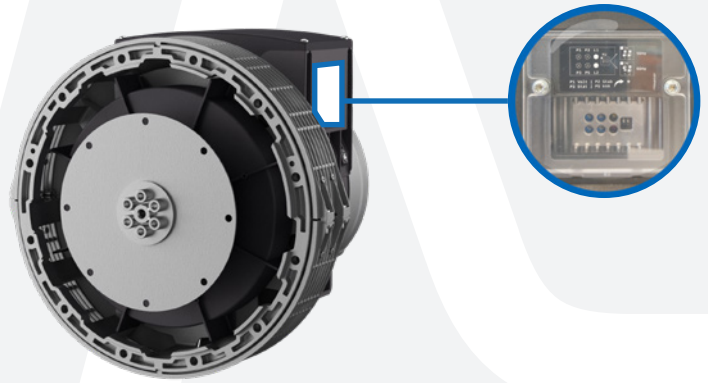
# BRUSHLESS ALTERNATORS WITH AVR-d 4 Poles

## ZB132



Patented  
Digital with 3 phase sensing

- Innovative compact design
- Sturdy and high-quality frame
- Possibility of adjusting the trimmers from outside in absolute safety when the machine is running
- External signaling of status/alarms by LEDs



### Technical characteristics

	ZB132	ZB132-1
	Three-phase	Single-phase
Number of poles	4	
Rated power factor	0,8	1
Voltage accuracy	± 0,5%	
T.H.D.	< 4% phase to phase	< 5%
Rated temperature	-15°C ÷ 40°C	
Excitation system	Self-excited	
Execution	Brushless	
AVR model	AVR 625D - Digital with 3 phase sensing	
	Right side (coupling side view) as standard left on request	
Overload	110% of rated power for 1 hour in a 6-hour cycle	
Short circuit current	> 300% I <sub>n</sub>	
Insulation class	H	

	ZB132	ZB132-1
	Three-phase	Single-phase
Protection degree	IP21 (IP23 on request)	
Rated speed	1500 rpm at 50Hz - 1800 rpm at 60Hz	
Overspeed	2250 rpm	
Rotation direction	CW - CCW	
Air flow requirement	SAE 5: 3,5 m <sup>3</sup> /min at 1500rpm - 4,2 m <sup>3</sup> /min at 1800rpm	
	SAE 4: 5,4 m <sup>3</sup> /min at 1500rpm - 6,5 m <sup>3</sup> /min at 1800rpm	
NDE bearing type	6207 2RSC3	
Stator windings	Single layer with auxiliary windings	
Rotor	With damping cage	
Number of leads	<b>6 (12 on request)</b>	<b>4</b>
Standards	IEC 34-1; EN60034-1; EN6034-22; ISO 8528-3	
Electromagnetic compatibility	EN61000-6-2; EN61000-6-4	
Union Harmonization Legislation	2014/35/EU (Low Voltage); 2014/30/EU (EMC)	

### 3ph

	50Hz - 1500rpm												60Hz - 1800rpm																
	S1 continuous 40/125°C cl. H						Stand-by 27/163°C						S1 continuous 40/125°C cl. H						Stand-by 27/163°C										
	3ph - 0,8 p.f.						1ph - 1/0,8 p.f. (1)		3ph - 0,8 p.f.		1ph - 1 p.f. (1)		3ph - 0,8 p.f.						1ph - 1/0,8 p.f. (1)		3ph - 0,8 p.f.		1ph - 1 p.f. (1)						
							---		<b>400</b>		---								---		<b>480</b>		---						
Voltage (V)	Series-Star Y	380	<b>400</b>	415	Eff. 4/4 load 400V 25°C						---	<b>400</b>	---	380	416	440	<b>480</b>	Eff. 4/4 load 480V 25°C						---	<b>480</b>	---			
	Parallel Star YY(*)	190	200	208							---	200	---	190	208	220	240							<b>240</b>	240	<b>240</b>			
	Series Delta Δ	220	230	240							<b>230</b>	230	<b>230</b>	220	240	254	277							277	277	277			
	Parallel Delta ΔΔ(**)	110	115	120							<b>115</b>	115	<b>115</b>	110	120	127	138							138	138	138			
	Double Delta ΔΔ 1ph (**)	---	---	---							230/115	---	230/115	---	---	---	---	---							277/138	---	277/138		
Model	kVA						%						kVA						%										
	SAE5	SAE4	SAE5	SAE4	SAE5	SAE4	SAE5	SAE4	SAE5	SAE4	SAE5	SAE4	SAE5	SAE4	SAE5	SAE4	SAE5	SAE4	SAE5	SAE4	SAE5	SAE4	SAE5	SAE4	SAE5	SAE4	SAE5	SAE4	
Power	ZB132 XSA	8	<b>8</b>	8	79,1	<b>5</b>	8,8	5,5	9	9,5	10	<b>10,5</b>	80,2	<b>6</b>	11,6	6,6													
	ZB132 XSB	10	<b>10</b>	10	81,3	<b>6</b>	11	6,6	11	12	12,5	<b>13,5</b>	81,6	<b>8</b>	14,9	8,8													
	ZB132 SA	12,5	14	12,5	<b>14</b>	12,5	14	82,9	7	<b>8</b>	13,8	15,4	7,7	8,8	13	15,5	14	16,5	15	18	16	<b>19</b>	83,6	9	<b>11</b>	17,6	20,9	9,9	12,1
	ZB132 SB	15	16	15	<b>16</b>	15	16	84,6	8	<b>9</b>	16,5	17,6	8,8	9,9	16	17	17	18	18	20	19	<b>21</b>	85,2	10,5	<b>11,5</b>	20,9	23,1	11,6	12,7
	ZB132 MA	18	20	18	<b>20</b>	18	20	85,8	10	<b>11,5</b>	19,8	22	11	12,7	20	22	21	23,5	22	24,5	23,5	<b>26</b>	86,5	13	<b>14,5</b>	25,9	28,6	14,3	16
	ZB132 MB	20	22,5	20	<b>22,5</b>	20	22	86,4	11	<b>12,5</b>	22	24,8	12,1	13,8	22	26	23	27	24	28	25	<b>29</b>	87,2	14	<b>16</b>	27,5	31,9	15,4	17,6
	ZB132 LA	22	25	22	<b>25</b>	21	24	87,3	12	<b>14</b>	24,2	27,5	13,2	15,4	24	28	25	30	26	31	27	<b>31</b>	88,1	15	<b>17</b>	29,7	34,1	16,5	18,7

(\*) Available with 12 leads (on request) | (\*\*) Available with 12 leads (on request) and for single phase applications only  
 Power S1 cl.H (ΔT=125°C) - below 1000m AMSL - A.T. < 40°C  
 The powers in SAE 4 also apply to SAE 3, B34 and C30  
 (1) Single phase ratings line to neutral (y-yy connections - 1,0/0,8pf): max 40% of 3ph output power.

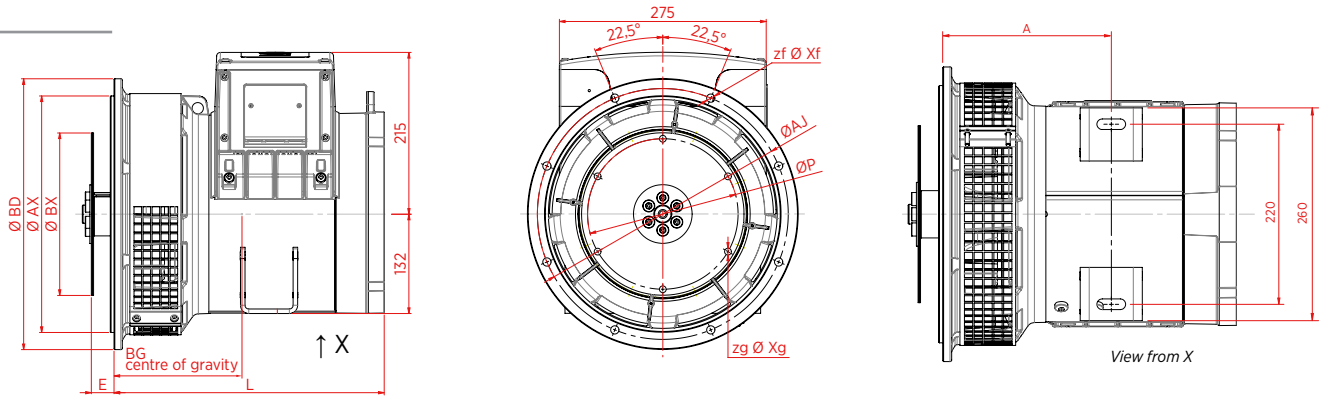
### 1ph Dedicated

	50Hz - 1500rpm												60Hz - 1800rpm												
	S1 continuous 40/125°C cl. H						Stand-by 27/163°C						S1 continuous 40/125°C cl. H						Stand-by 27/163°C						
	1 p.f.						0,8 p.f.		1 p.f.		0,8 p.f.		1 p.f.						0,8 p.f.		1 p.f.		0,8 p.f.		
Voltage (V)	Series	<b>220-230-240</b>			Eff. 4/4 load 230V 25°C			220-230-240			220-230-240			220	230	<b>240</b>	Eff. 4/4 load 240V 25°C			240	240				
	Parallel	110-115-120			110-115-120			110-115-120			110	115	120	120			120			120					
Model	kVA						%						kVA						%						
	SAE 5	SAE 4	SAE 5	SAE 4	SAE 5	SAE 4	SAE 5	SAE 4	SAE 5	SAE 4	SAE 5	SAE 4	SAE 5	SAE 4	SAE 5	SAE 4	SAE 5	SAE 4	SAE 5	SAE 4	SAE 5	SAE 4	SAE 5	SAE 4	SAE 5
Power	ZB132 XSA-1	5	<b>6</b>	78,5	4	4,6	5,5	6,6	4,4	5,3	5	6	5,3	6,3	5,5	<b>6,5</b>	77,1	4,4	5,2	6,1	7,2	4,8	5,7		
	ZB132 XSB-1	7	<b>8</b>	79,7	5,6	6,4	7,7	8,8	6,2	7	7	8	7,5	8,5	8	<b>9</b>	78,3	6,4	7,2	8,8	9,9	7	8		
	ZB132 SA-1	9	<b>10</b>	81,2	7,2	8	9,9	11	7,9	8,8	9,5	10,5	10	11,5	10,5	<b>12</b>	80,2	8,4	9,6	11,6	13,2	9,2	10,6		
	ZB132 SB-1	10,5	<b>12</b>	83,1	8,4	9,6	11,6	13,2	9,2	10,6	11	12	11,5	13	12	<b>14</b>	82,2	9,6	11,2	13,2	15,4	10,6	12,3		
	ZB132 MB-1	13	<b>15</b>	85,3	10,4	12	14,3	16,5	11,4	13,2	13	15	14	16	15	<b>17</b>	84,1	12	13,6	17	18,7	13,2	15		

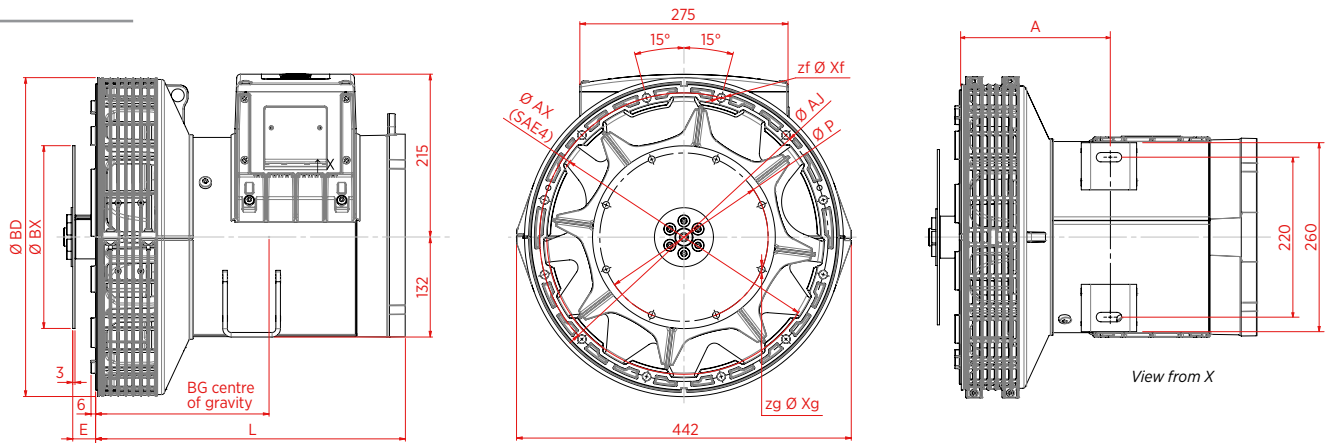
Power S1 cl.H (ΔT=125°C) - below 1000m AMSL - A.T. < 40°C  
 The powers in SAE 4 also apply to SAE 3, B34 and C30

# Overall Dimensions

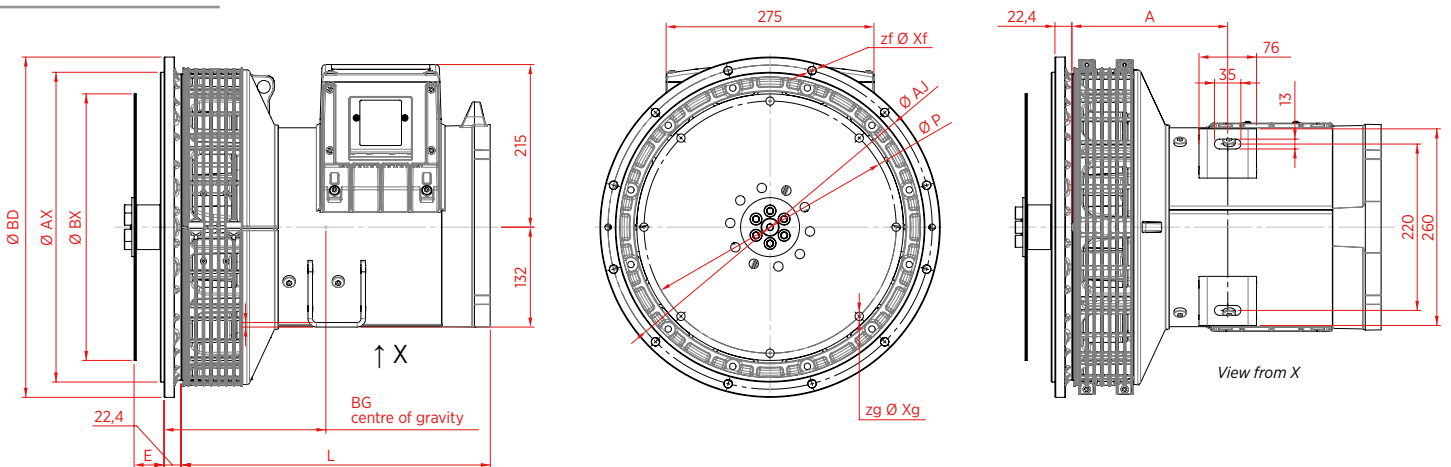
## SAE 5



## SAE 4



## SAE 3

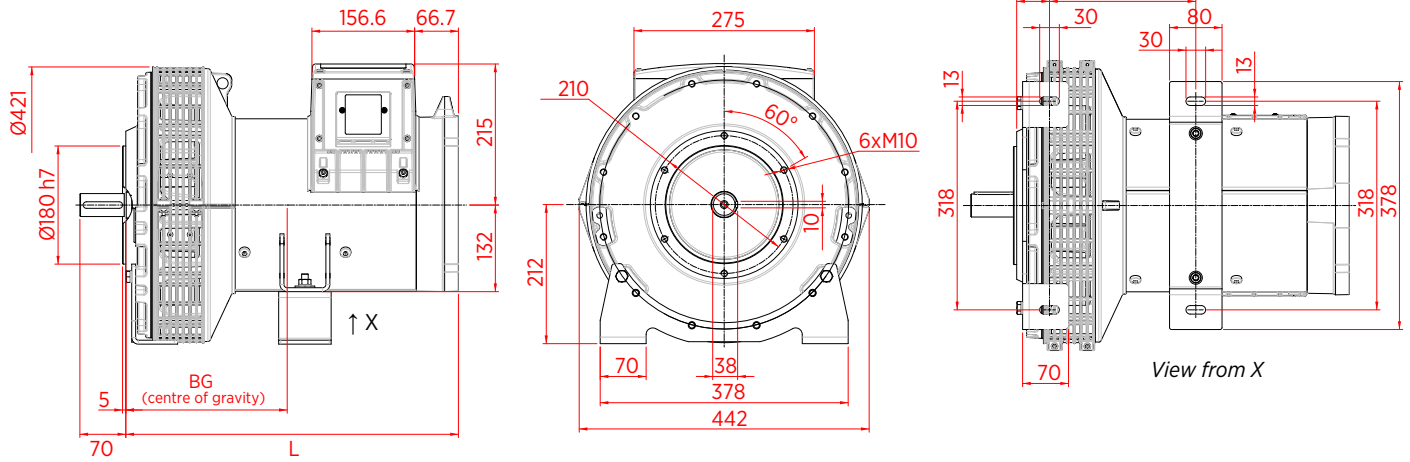


Model	L	A	BG			Weight		
			SAE 5-6,5	SAE 4-7,5	SAE 3-11,5	SAE 5	SAE 4	SAE 3
	[mm]	[mm]	[mm]			[kg]		
ZB132 XSA	359	206	178	176	183	56	57	64
ZB132 XSB	359	206	181	180	188	62	63	70
ZB132 SA	409	206	200	197	207	73	74	80
ZB132 SB	409	206	205	203	214	80	81	88
ZB132 MA	469	235	232	230	241	97	98	105
ZB132 MB	469	235	235	232	244	100	101	108
ZB132 LA	499	250	246	244	256	108	109	115
ZB132 XSA-1	359	206	178	176	183	55	56	63
ZB132 XSB-1	359	206	181	180	198	61	62	69
ZB132 SA-1	409	206	200	197	207	72	73	79
ZB132 SB-1	409	206	205	203	214	78	79	86
ZB132 MB-1	469	235	235	232	244	98	99	106

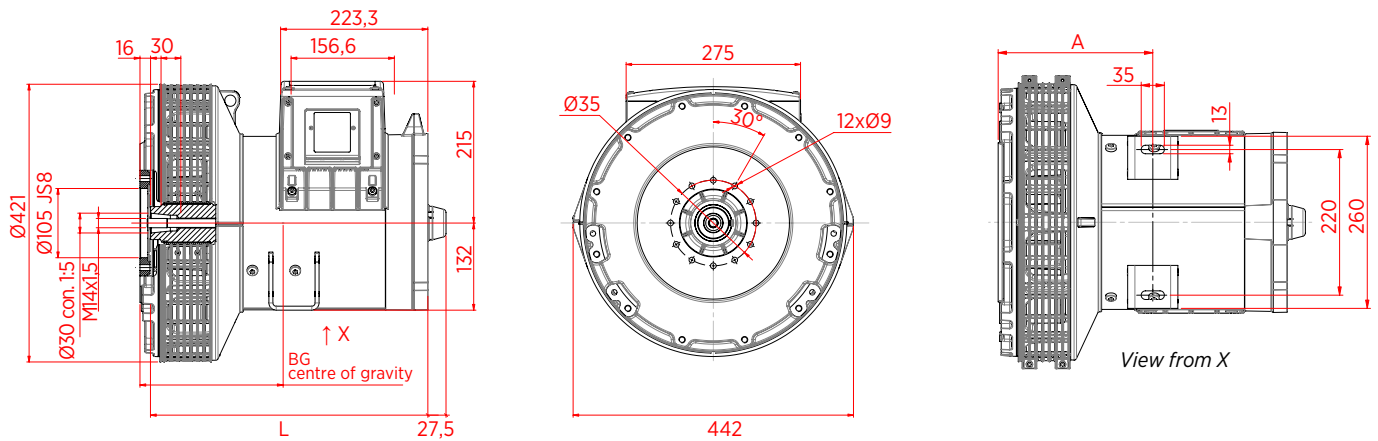
Flange	AX	BD	AJ	Xf	zf
	[mm]	[mm]	[mm]	[mm]	[nr]
SAE 5	314,325	355	333,37	11	8
SAE 4	361,95	421	381	11	12
SAE 3	409,575	450	428,625	11	12
Joint	E	BX	P	Xg	zg
	[mm]	[mm]	[mm]	[mm]	[nr]
6,5	30,2	215,9	200,02	9	6
7,5	30,2	241,3	222,25	9	8
8	62	263,5	244,47	11	6
10	53,8	314,3	295,27	11	8
11,5	39,6	352,4	333,37	11	8

# Overall Dimensions

## B34



## C30



Model	B34				C30			
	L	A	BG	Weight	L	A	BG	Weight
	(mm)	(mm)	(mm)	(Kg)	(mm)	(mm)	(mm)	(Kg)
ZB132 XSA	397	194	178	58	386,5	233,5	177	52
ZB132 XSB	397	194	185	65	386,5	233,5	183	58
ZB132 SA	447	194	201	75	436,5	233,5	199	69
ZB132 SB	447	194	211	82	436,5	233,5	209	76
ZB132 MA	507	223	239	100	496,5	262,5	237	94
ZB132 MB	507	223	243	103	496,5	262,5	241	97
ZB132 LA	537	238	254	111	526,5	277,5	252	105
ZB132 XSA-1	397	194	178	56	386,5	233,5	177	50
ZB132 XSB-1	397	194	185	63	386,5	233,5	183	56
ZB132 SA-1	447	194	201	73	436,5	233,5	199	67
ZB132 SB-1	447	194	211	80	436,5	233,5	209	74
ZB132 MB-1	507	223	243	101	496,5	262,5	241	95

Technical data not binding; NSM reserves the right to modify the contents without prior notice.

NSM S.r.l. società con socio unico

Via Lazio 5/b  
36015 Schio | Vicenza | Italy

T +39 0445 595888  
F +39 0445 595800

info@nsmsrl.it  
www.nsmsrl.it

