

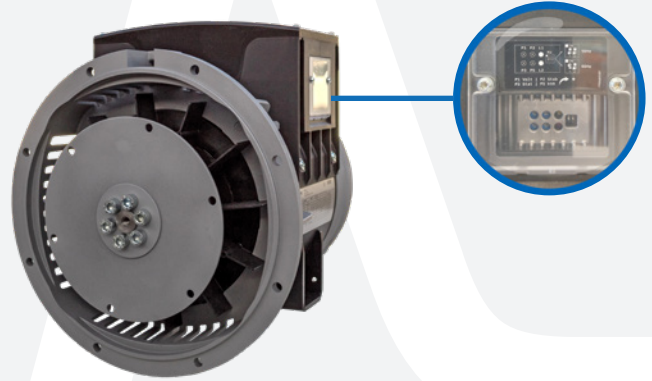
BRUSHLESS ALTERNATORS WITH AVR-d 4 Poles

COMPACT ZBC132



Patented Digital with 3 phase sensing

- Innovative compact design
- Sturdy and high-quality frame
- Possibility of adjusting the trimmers from outside in absolute safety when the machine is running
- External signaling of status/alarms by LEDs



Technical characteristics		ZBC132	ZBC132-1	ZBC132	ZBC132-1
		Three-phase	Single-phase	Three-phase	Single-phase
Number of poles	4				
Rated power factor	0,8		1		
Voltage accuracy	± 0,5%				
T.H.D.	< 4% phase to phase		< 5%		
Rated temperature	-15°C ÷ 40°C				
Excitation system	Self-excited				
Execution	Brushless				
AVR model	AVR 625D - Digital with 3 phase sensing				
	Right side (coupling side view) as standard - left on request				
Overload	110% of rated power for 1 hour in a 6-hour cycle				
Short circuit current	> 300% I _n				
Insulation class	H				
Protection degree	IP21				
Rated speed	1500 rpm at 50Hz - 1800 rpm at 60Hz				
Overspeed	2250 rpm				
Rotation direction	CW - CCW				
Air flow requirement	3,5 m ³ /min at 1500rpm - 4,2 m ³ /min at 1800rpm				
NDE bearing type	6207 2RSC3				
Stator windings	Single layer with auxiliary windings				
Rotor	With damping cage				
Number of leads	6 (12 on request)			4	
Standards	IEC 34-1; EN60034-1; EN6034-22; ISO 8528-3				
Electromagnetic compatibility	EN61000-6-2; EN61000-6-4				
Union Harmonization Legislation	2014/35/EU (Low Voltage); 2014/30/EU (EMC)				

	50Hz -1500rpm										60Hz -1800rpm					
	S1 continuous 40/125°C cl. H					Stand-by 27/163°C					S1 continuous 40/125°C cl. H			Stand-by 27/163°C		
	3ph - 0,8 p.f.			1ph - 1/0,8 p.f. (1)		3ph - 0,8 p.f.		1ph - 1 p.f. (1)			3ph - 0,8 p.f.		1ph - 1/0,8 p.f. (1)	3ph - 0,8 p.f.		1ph - 1 p.f. (1)
Voltage (V)	Series-Star Y	380	400	415	---	400	---	380	416	440	480	---	480	---	---	---
	Parallel Star YY (*)	190	200	208	---	200	---	190	208	220	240	---	240	---	240	240
	Series-Delta Δ	220	230	240	230	230	230	220	240	254	277	277	277	277	277	277
	Parallel Delta ΔΔ (*)	110	115	120	115	115	115	110	120	127	138	138	138	138	138	138
	Double Delta ΔΔ (*) 1ph	---	---	---	230/115	---	230/115	---	---	---	---	277/138	---	---	277/138	---
Model		kVA			%			kVA			%			kVA		
Power	ZBC132 XSA	8	8	8	79,1	5	8,8	5,5	9	9,5	10	10,5	80,2	6	11,6	6,6
	ZBC132 XSB	10	10	10	81,3	6	11	6,6	11	12	12,5	13,5	81,6	8	14,9	8,8
	ZBC132 SA	12,5	12,5	12,5	82,9	7	13,8	7,7	13	14	15	16	83,6	9	17,6	9,9
	ZBC132 SB	14,5	15	15	84,6	8	16,5	8,8	15,5	17	18	19	85,2	10,5	20,9	11,6
	ZBC132 MA	18	18	18	85,8	10	19,8	11	20	21	22	23,5	86,5	13	25,9	14,3
	ZBC132 MB	20	20	19	86,4	11	22	12,1	22	23	24	25	87,2	14	27,5	15,4
	ZBC132 LA	22	22	21	86,9	12	24,2	13,2	24	25	26	27	87,5	15	29,7	16,5

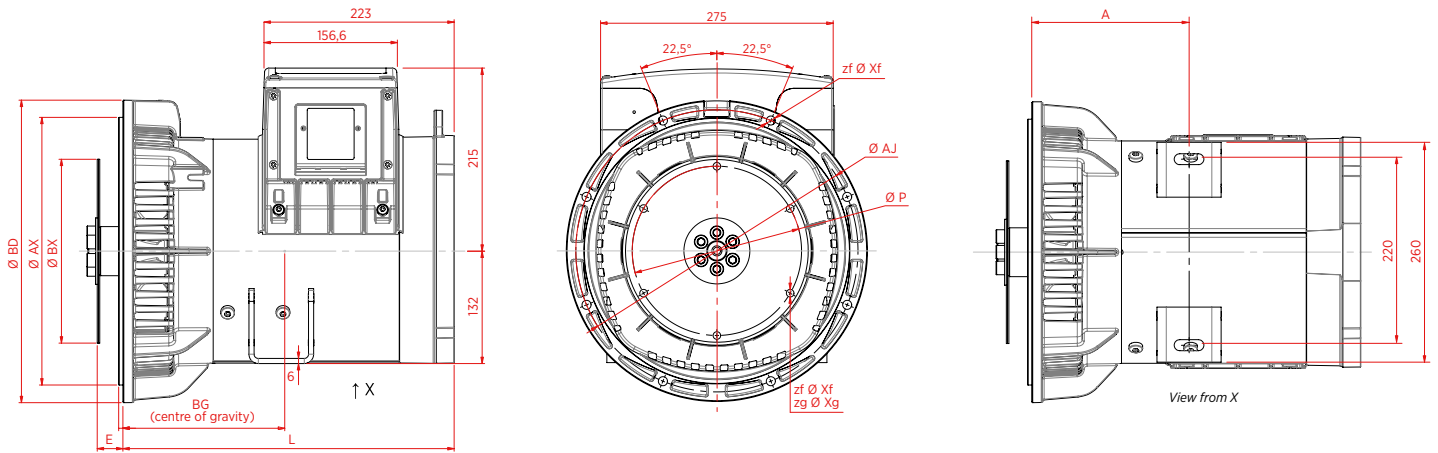
(*) Available with 12 leads (on request)
 (**) Available with 12 leads (on request) and for single phase applications only
 Power S1 cl.H (ΔT=125°C) - below 1000m AMSL - A.T. < 40°C
 (1) Single phase ratings line to neutral (y-yy connections - 1,0/0,8pf): max 40% of 3ph output power.

	50Hz -1500rpm						60Hz -1800rpm												
	S1 continuous 40/125°C cl. H			Stand-by 27/163°C			S1 continuous 40/125°C cl. H			Stand-by 27/163°C									
	1 p.f.		0,8 p.f.	1 p.f.		0,8 p.f.	1 p.f.		0,8 p.f.	1 p.f.		0,8 p.f.							
Voltage (V)	Series	220-230-240		Eff. 4/4 load 230V 25°C		220-230-240		220-230-240		220	230	240	Eff. 4/4 load 240V		240				
	Parallel	110-115-120		110-115-120		110-115-120		110		115	120	120		120					
Model		kVA		%		kVA		kVA		%		kVA		kVA					
Power	ZBC132 XSA-1	5		78,5		4		5,5		4,4		5		5,5		77,1			
	ZBC132 XSB-1	7		79,7		5,6		7,7		6,2		7		7,5		8		78,3	
	ZBC132 SA-1	9		81,2		7,2		9,9		7,9		9,5		10		10,5		80,2	
	ZBC132 SB-1	10,5		83,1		8,4		11,6		9,2		11		11,5		12		82,2	
	ZBC132 MB-1	13		85,3		10,4		14,3		11,4		13		14		15		84,1	

Power S1 cl.H (ΔT=125°C) - below 1000m AMSL - A.T. < 40°C

Overall Dimensions

SAE 5 - SAE 4



Model	A	L	BG		Weight	
			SAE 5-6,5	SAE 4-7,5	SAE 5	SAE 4
	[mm]	[mm]	[mm]		[kg]	
ZBC132 XSA	186	339	164	162	55	56
ZBC132 XSB	186	339	166	164	61	62
ZBC132 SA	186	389	185	183	72	73
ZBC132 SB	186	389	190	188	79	80
ZBC132 MA	215	449	217	215	96	97
ZBC132 MB	215	449	219	217	99	100
ZBC132 LA	230	479	230	229	108	109
ZBC132 XSA-1	186	339	164	162	54	55
ZBC132 XSB-1	186	339	166	164	60	61
ZBC132 SA-1	186	389	185	183	71	72
ZBC132 SB-1	186	389	190	188	77	78
ZBC132 MB-1	215	449	219	217	97	98

Flange	AX	BD	AJ	Xf	zf
	[mm]	[mm]	[mm]	[mm]	[nr]
SAE 5	314,325	355	333,37	11	8
SAE 4	361,95	404	381	11	12

Joint	E	BX	P	Xg	zg
	[mm]	[mm]	[mm]	[mm]	[nr]
6,5	30,2	215,9	200,02	9	6
7,5	30,2	241,3	222,25	9	8