

## THREE-PHASE GENERATORS - 2 and 4 Poles

### DC GENERATORS

24 / 48 Vdc - with AVR - from 100 to 400A



A complete range of DC generators suitable for:

- Battery charges
- Low voltage lighting towers
- APU applications

Technical characteristics
Digital AVR
High voltage stability during a large speed range
Insulation class H
DC constant voltage
Low ripple
Built-in rectifier bridges
IP23
Efficiency: from 79 to 84 (depending on the model)

<b>Speed:</b>	fixed (2P 3000rpm - 4P 1500-1800-2400rpm)
	or variable (pre-defined range)
	2P: (2700 - 3900 rpm)
	4P: (1400 - 2400 rpm)
<b>Nominal voltage:</b>	24Vdc or 48Vdc
<b>Operating output voltage:</b>	22 to 30Vdc or 44 to 60Vdc (adjustable)
<b>Voltage accuracy:</b>	+ - 1%

**2P** **3ph**

#### Brush with Digital AVR

48Vdc			
Model	kW	A	[kg]
ZR100 DC SC	5	100	33
ZR112 DC SB	10	200	58
ZR112 DC SD	15	300	63



**2P** **3ph**

#### Brush with Digital AVR

24Vdc			
Model	kW	A	[kg]
ZR112 DC SX	5	200	47
ZR112 DC SA	8	300	52
ZR112 DC SB	10	400	58



**4P** **9ph**

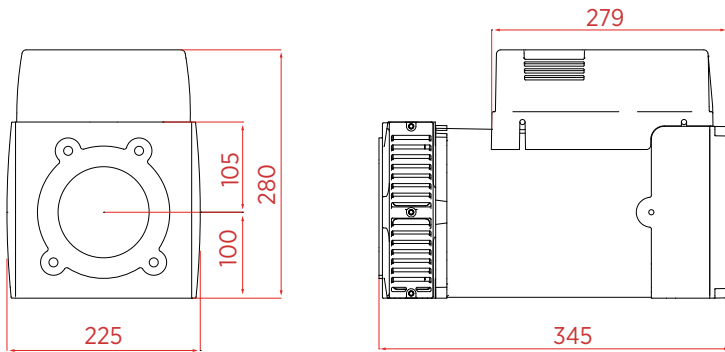
#### Brushless with Digital AVR

9 Phases - 2400 rpm			
48Vdc			
Model	kW	A	[kg]
XG132 DC XSA	7,2	120	72,0
XG132 DC XSB	12	200	80,0
XG132 DC SB	18	300	107,0
XG132 DC MA	24	400	125,0

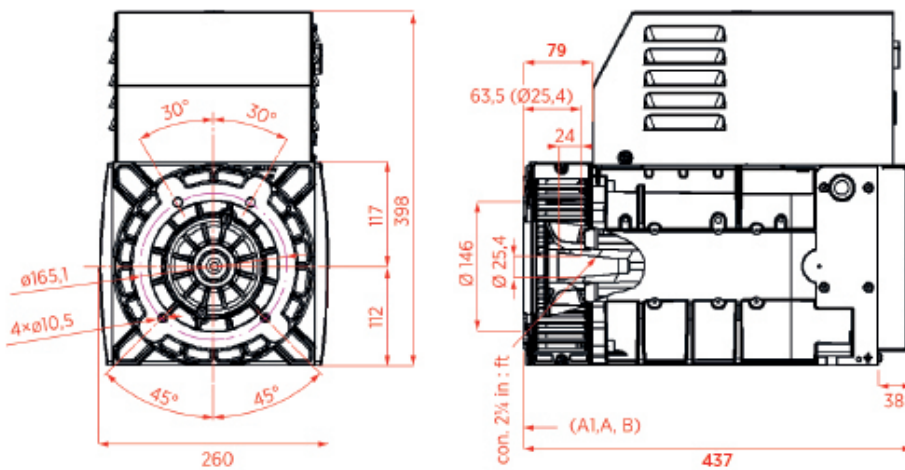


## Overall Dimensions

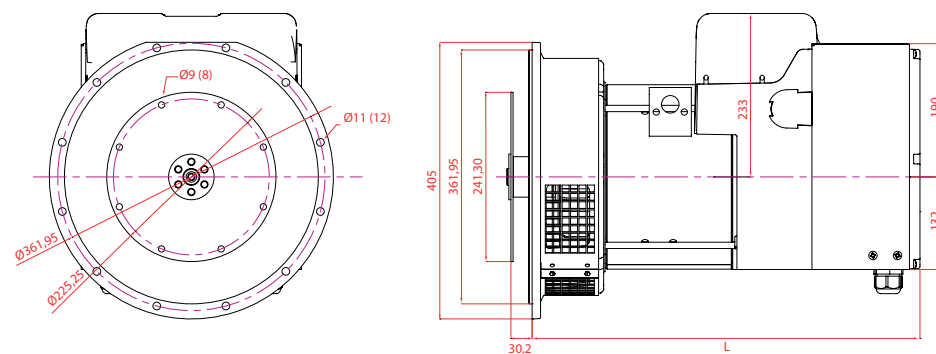
### ZR100 DC S-



### ZR112 DC S-



### XG132 DC



	L
	(mm)
XG132 DC XSA	503
XG132 DC XSB	503
XG132 DC SB	603
XG132 DC MA	653