

ALTERNATORI MONOFASE - 2 Poli

SINGLE-PHASE ALTERNATORS - 2 Poles

K112
Brushless a condensatore
Brushless with Capacitor

KR112
A spazzole con AVR-d
Brush with AVR-d



Caratteristiche tecniche
K112
Tensione standard 50Hz: 230V, 240V 60Hz: 110/220V, 120/240V Altri valori a richiesta
Classe d'isolamento H
Protezione IP 23
T.H.D. ≤ 6%
Precisione tensione + 5%, - 6% (cosφ = 1)
Capacità di spunto (Icc > 3In)
Optional Quadro elettrico, Carica batterie
KR112
Tensione standard 50Hz: range 110÷120/220÷240V 60Hz: range 110÷120/220÷240V Altri valori a richiesta
Classe d'isolamento H
Protezione IP 23
T.H.D. ≤ 6%
Precisione tensione ± 2% (indipendentemente dal cosφ)
Capacità di spunto (Icc > 4In)
Optional Quadro elettrico, Carica batterie
Regolatore automatico di tensione AVR 760D • Provvisto di protezioni per Sottovelocità, Massima tensione, Massima corrente di eccitazione, Sovraccarico prolungato (max kVA)

Technical characteristics
K112
Standard voltage 50Hz: 230V, 240V 60Hz: 110/220V, 120/240V Other voltages on request
Insulation class H
Protection IP 23
T.H.D. ≤ 6%
Voltage accuracy + 5% (cosφ = 1)
Starting capacity (Icc = 4In)
Optional Electrical panel, Battery charger
KR112
Standard voltage 50Hz: range 110÷120/220÷240V 60Hz: range 110÷120/220÷240V Other voltages on request
Insulation class H
Protection IP 23
T.H.D. ≤ 6%
Voltage accuracy ± 2% (regardless of cosφ)
Starting capacity (Icc > 4In)
Optional Electrical panel, Battery charger
Automatic Voltage Regulator AVR 760D • Supplied with protections for Underspeed, Maximum voltage, Maximum excitation current, Prolonged overload (max kVA)

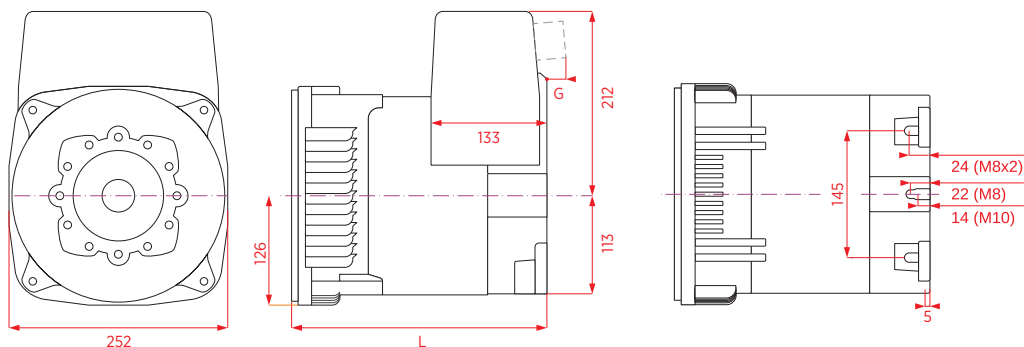
Modello Model	Potenza Output Power		Potenza assorbita Driving Power		Potenza Output Power		Potenza assorbita Driving Power		Peso Weight		
	cosφ 1 [kVA]	cosφ 0,8 [kVA]	4/4 - cosφ 1 [kW] η %		cosφ 1 [kVA]	cosφ 0,8 [kVA]	4/4 - cosφ 1 [kW] η%		cone [kg]	B34 [kg]	SAE [kg]
50Hz - 3000rpm					60Hz - 3600rpm						
K112 E	4,0	---	5,5	73,0	5,0	---	6,8	74,0	25,0	---	27,5
K112 G	6,0	---	8,0	75,0	7,2	---	9,5	76,0	27,0	---	29,5
K112 H	7,0	---	9,1	77,0	8,5	---	10,9	78,0	32,5	---	35,0
K112 J	8,0	---	10,3	78,0	10,0	---	12,7	79,0	34,0	---	36,5
K112 L	10,0	---	12,7	79,0	12,5	---	15,6	80,0	39,0	---	41,5
KR112 G	6,5	5,0	8,4	77,0	8,0	6,5	10,3	78,0	32,5	---	35,5
KR112 J	8,0	6,5	10,3	78,0	10,0	8,0	12,7	79,0	34,0	---	36,5
KR112 L	10,0	8,0	12,6	79,5	12,5	10,0	15,5	80,5	39,0	---	41,5

Dimensioni di ingombro

Overall Dimensions

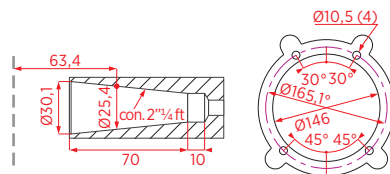
CONE

K112

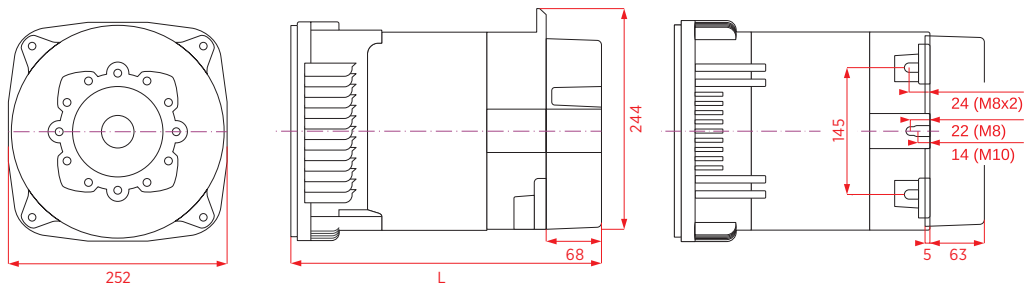


J609b

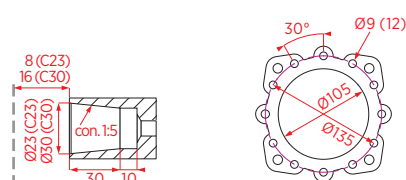
C 22
C 25,4
C 35



KR112

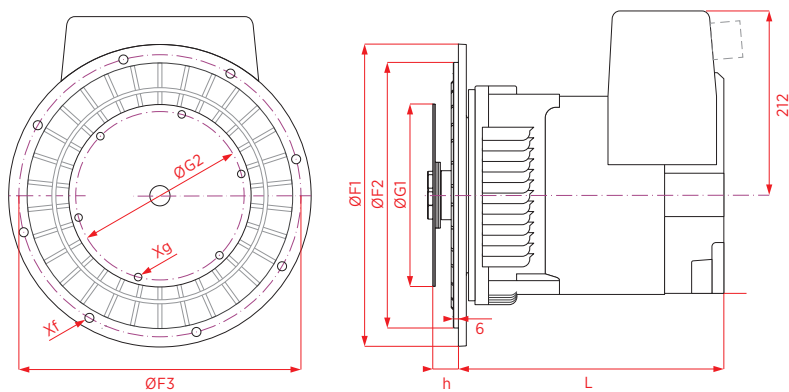


C 23 C 30



SAE

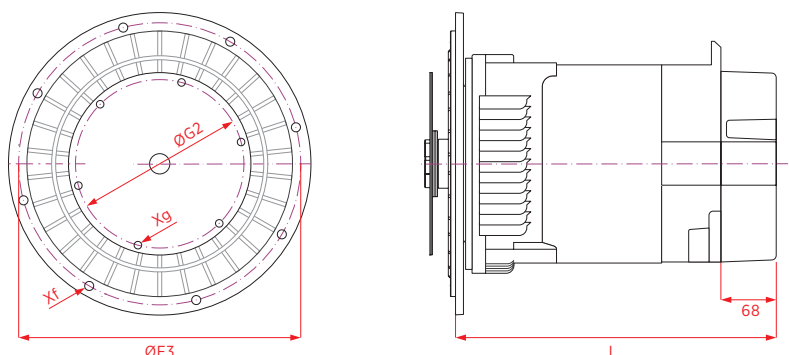
K112



Flangia Flange				
SAE	ØF1	ØF2	ØF3	Xf
(mm)				
5	356	314,33	333,4	Ø11 (8)
4	404	361,95	381,0	Ø11 (12)

Giunto Joint				
SAE	ØG1	ØG2	h	Xg
(mm)				
6,5	215,9	200,02	30,2	Ø9 (6)
7,5	241,3	222,25	30,2	Ø9 (8)

KR112



Model	K112		KR112	
	cone	SAE	cone	SAE
	L		L	
	(mm)		(mm)	
E	239	251	---	---
G	239	251	302	314
H	269	281	---	---
J	269	281	332	344
L	294 304*	316	357 367*	379

Prese Sockets	G
	(mm)
Schuko	6
CEE 16A	43
CEE 32A	56

* J609b

Dati tecnici non impegnativi: NSM si riserva il diritto di apportare modifiche senza l'obbligo di darne preventiva comunicazione.

Technical data not binding: NSM reserves the right to modify the contents without prior notice.