

# PMG

## Permanent Magnet Generator AC Output



**PMG** is a complete range of Permanent Magnet Generators with AC output. Super compact, brushless and bearingless for easier maintenance, this generator is suitable for both fixed or variable speed applications.

### Technical characteristics

**Nominal voltage from 50 to 600 Vac**

Output power from 1 kVA to 60 kVA

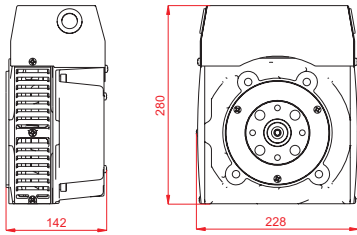
Insulation class H

Protection IP 21

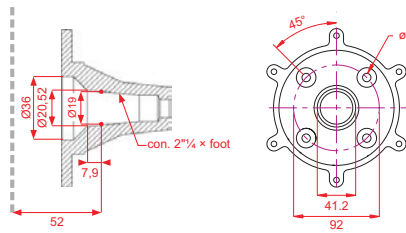
Model	Max Power						Weight	
	[kVA]	[kVA]	[kVA]	[kVA]	[kVA]	[kVA]	cone [kg]	SAE [kg]
	1000rpm	1500rpm	2000rpm	2400rpm	3000rpm	3600rpm		
PMG 150SB	1	1,7	2,4	3	4	4,8	10,5	----
PMG 150SC	2	3	4	4,8	6	7,2	11,5	----
PMG 185SC	2,8	4,5	6,5	8	10	12	16,5	15,5
PMG 185SF	4,5	7,5	10	13	18	21	20,5	19,5
PMG 295SB	8,5	13	17	19	23	27	----	39,5
PMG 295SF	14	21	27	30	36	44	----	47
PMG 295MH	18	28	36	40	50	60	----	59,5

## Overall Dimensions

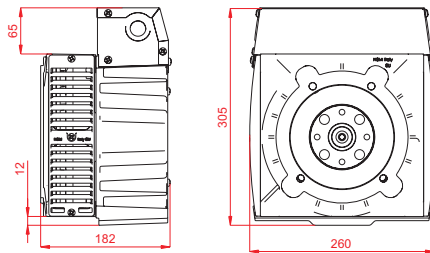
### CONE PMG 150



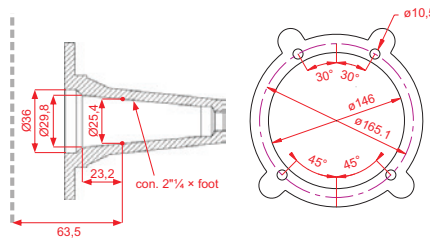
### J609a C 19



### PMG 185



### J609b C 25,4 C 35

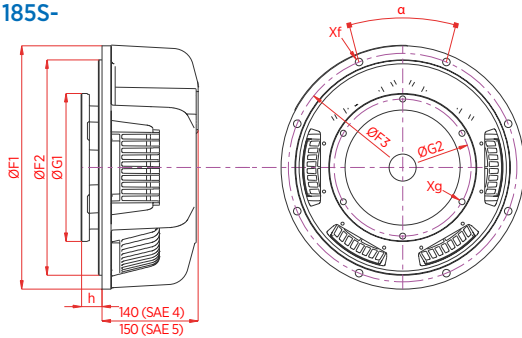


Cone	J609a	J609b
PMG 150	x	x
PMG 185		x

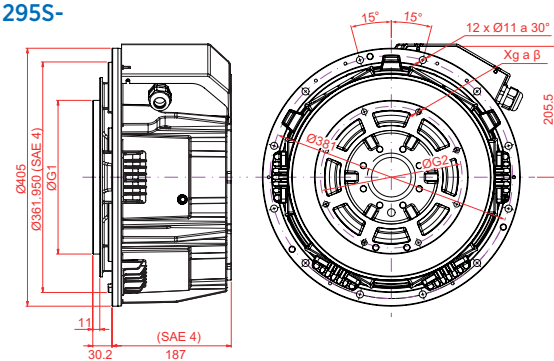
C23-C30 on request.

### SAE

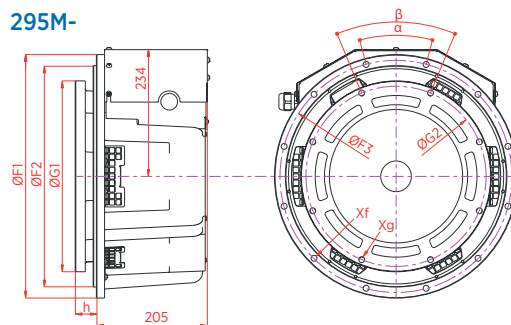
### PMG 185 185S-



### PMG 295 295S-



### 295M-



	Flange					
	SAE	ØF1	ØF2	ØF3	Xf	α
		[mm]				
PMG 185S-	5	363	314,33	333,40	Ø11 (8)	45°
	4	403	361,95	381	Ø11 (12)	30°
PMG 295M-	4	425	361,95	381	Ø11 (12)	30°
	3	450	409,58	428,63	Ø11 (12)	30°

	Joint					
	SAE	ØG1	ØG2	h	Xg	β
		[mm]				
6,5	215,90	200,02	30,2	Ø9 (6)	60°	
7,5	241,30	222,25	30,2	Ø9 (8)	45°	
11,5	352,42	333,37	39,6	Ø11 (8)	45°	

	SAE			
	6,5	7,5	11,5	
PMG 185	5	X	X	
	4	X	X	
PMG 295	4	X	X	
	3			X

PMG 185 SAE 3 and PMG 295 SAE 5 available on request

Technical data not binding: NSM reserves the right to modify the contents without prior notice.